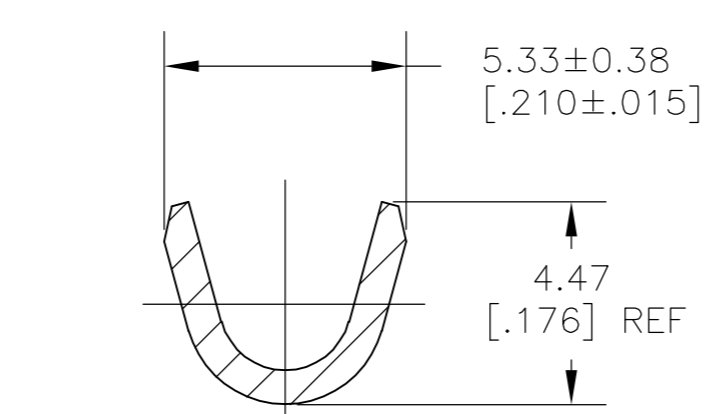
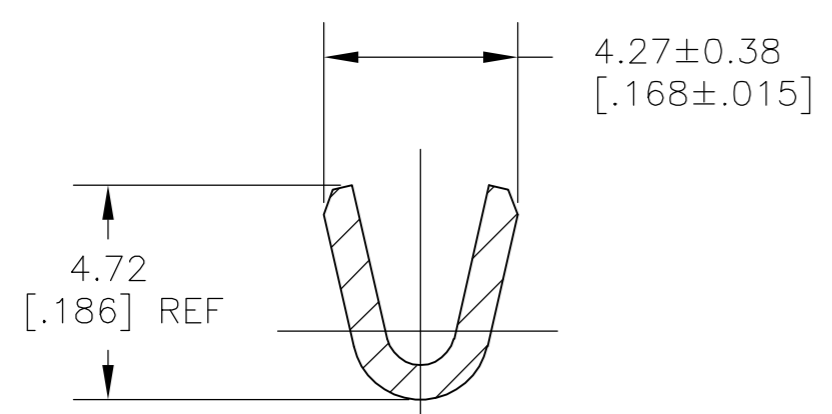
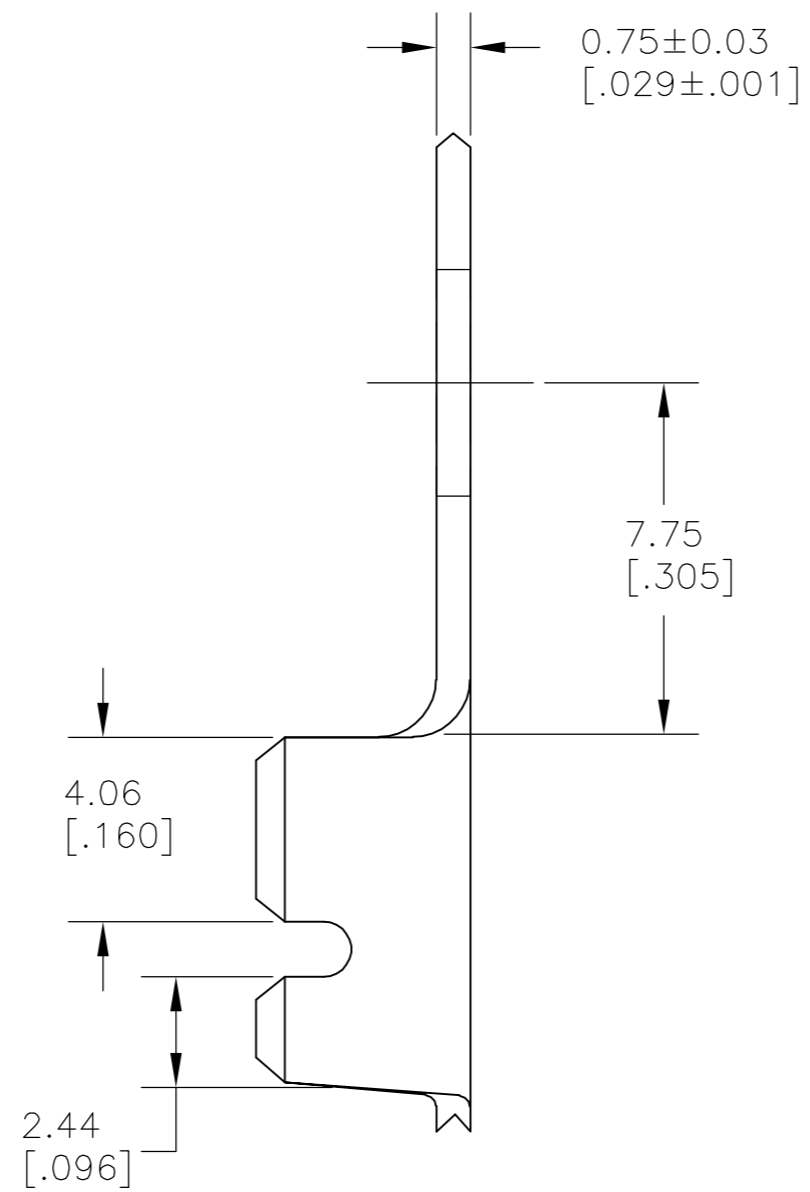
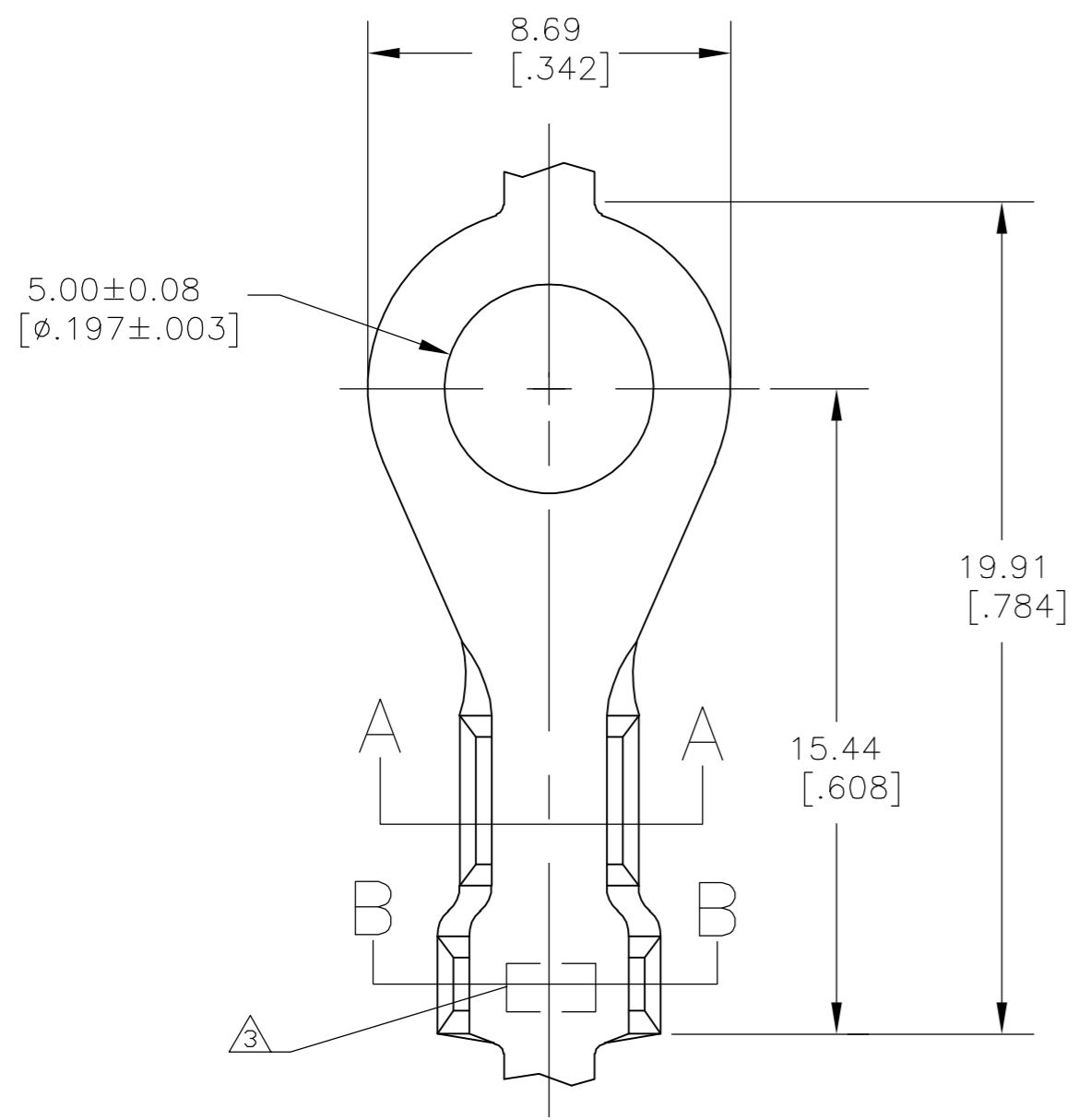


THIS DRAWING IS UNPUBLISHED. RELEASED FOR PUBLICATION
 © COPYRIGHT BY TYCO ELECTRONICS CORPORATION. ALL RIGHTS RESERVED.

LOC	DIST	REVISIONS			
P	LTR	DESCRIPTION	DATE	DWN	APVD
AF1		REVISED -2 PER ECR-06-008720	08MAY06	MF	DD



- 1 CONTINUOUS STRIP ON REELS.
- 2 0.002032 [.000080] MIN TIN PLATE.
- 3 AMP STAMP: AMP FOR 40725, -2, & -3
AMP* FOR 40725-1.
- 4 SPECIAL PACKAGING.
- 5 FOR PROCESSING ONLY.

OBSOLETE	0.8-2.0mm ² [18-14] AWG	2.54-3.56 [.100-.140] DIA	2	082 BRASS	40725-4
			2	082 BRASS	4 40725-3
			2	082 BRASS	40725-2/5
			2	H03 PHOSPHOR BRONZE	40725-1
			2	082 BRASS	40725
WIRE RANGE	INSULATION RANGE	FINISH	MATERIAL		PART NUMBER
THIS DRAWING IS A CONTROLLED DOCUMENT.			DWN 02JAN2001 MICHAEL S. FEHER CHK 23JAN2001 DONALD DECKER APVD 23JAN2001 DONALD DECKER PRODUCT SPEC APPLICATION SPEC		
DIMENSIONS: mm [INCHES]	TOLERANCES UNLESS OTHERWISE SPECIFIED:	NAME: #10 STUD, TERMINAL, TONGUE, RING SIZE: A2 CAGE CODE: 00779 DRAWING NO: C=40725 RESTRICTED TO:			
MATERIAL: SEE TABLE	FINISH: SEE TABLE	WEIGHT: -	SCALE: 6:1	SHEET: 1 of 1	REV: AF1
CUSTOMER DRAWING					

40725